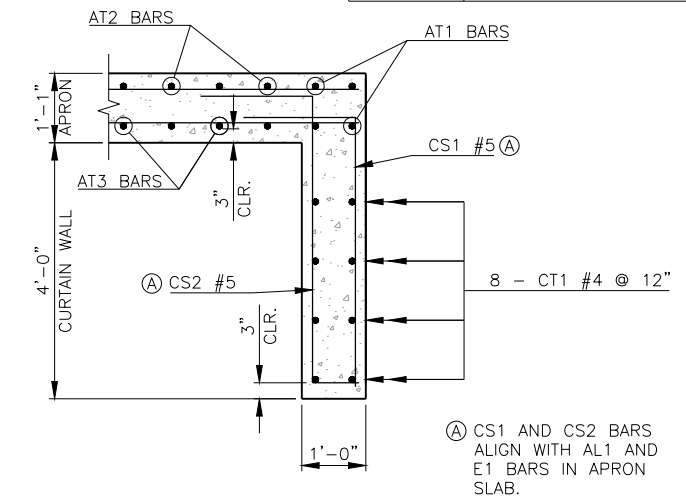
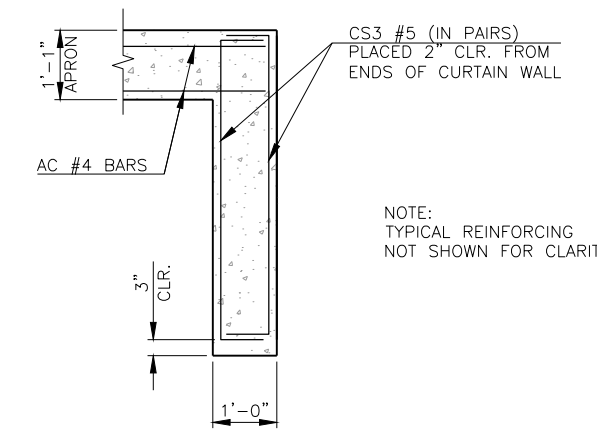


NORTH APRON PLAN



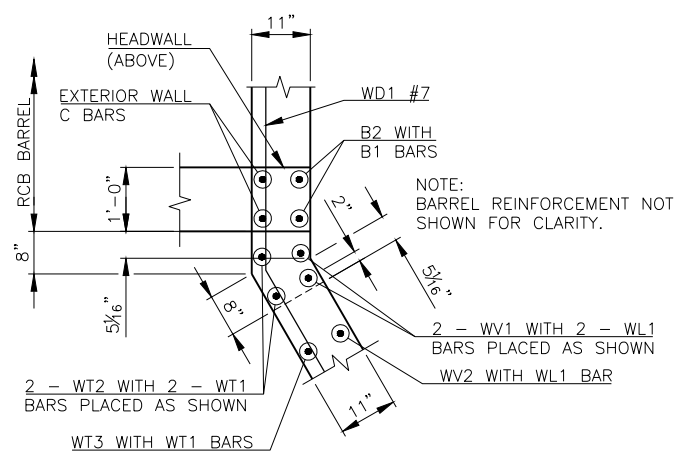
NORTH CURTAIN WALL SECTION



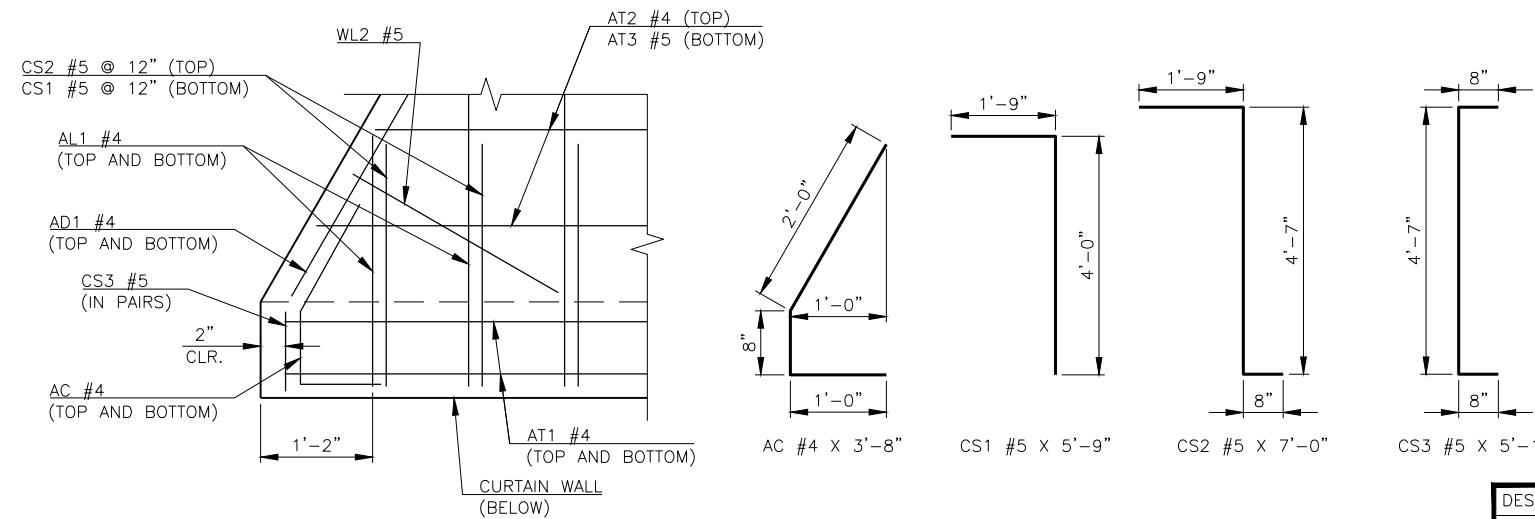
NORTH CURTAIN WALL END SECTION

NORTH APRON AND CURTAIN WALL BAR LIST					
PLAIN REINFORCING					
MARK	SIZE	NO.	FORM	LENGTH	LENGTH VARIATION
AC	#4	4	BNT.	3'-8"	
AD1	#4	4	STR.	12'-8"	
① AL1	#4	16	STR.	5'-1" AVG.	2'-6" TO 7'-8"
AT1	#4	4	STR.	32'-5"	
AT2	#4	9	STR.	27'-4" AVG.	22'-9" TO 31'-11"
AT3	#5	9	STR.	27'-4" AVG.	22'-9" TO 31'-11"
AT4	#4	1	STR.	22'-6"	
AT5	#5	1	STR.	22'-6"	
CS1	#5	34	BNT.	5'-9"	
CS2	#5	34	BNT.	7'-0"	
CS3	#5	4	BNT.	5'-11"	
CT1	#4	8	STR.	32'-5"	

① 4 SETS OF 4 BARS



SECTION OF WING AT BARREL



DETAIL "A"

DESIGN	B.J.K.	TRIBUTARY TO SIMON CREEK	LOVE COUNTY
DRAWN	R.A.P.	NORTH END SECTION DETAILS (SHEET 1 OF 2)	
CHECKED	B.J.K.		
APPROV.	B.J.K.		
SQUAD	CEC		
		JOB PIECE NO. 25447(04)	SHEET NO. B018